

Single Colour Remotes



R1-1 Remote Single Colour One-Key 1 Zone

- One-key
 - On/off dimmer
 - RF wireless remote 30M distance
 - 1 Zone remote. Can be paired to multiple receivers
 - Finish/Colour: White, Black
 - Portable or fixed. Mounting options: Surface mount, recessed, magnetic to any metal surface
 - IP20, non-waterproof
 - Power CR2032 battery (included)
 - Used in conjunction with VP Controller
-

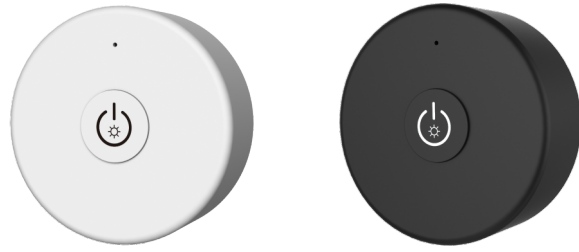
R1-1 BK (black) **R1-1 WH** (white)

R1-1

One-key RF Remote Controller

RF DIM

- Apply to single color LED controller.
- Each remote can match one or more receiver.
- CR2032 battery powered.
- Operate with LED indicator light.
- Magnet on the back which can be easily stuck on any metal surfaces.

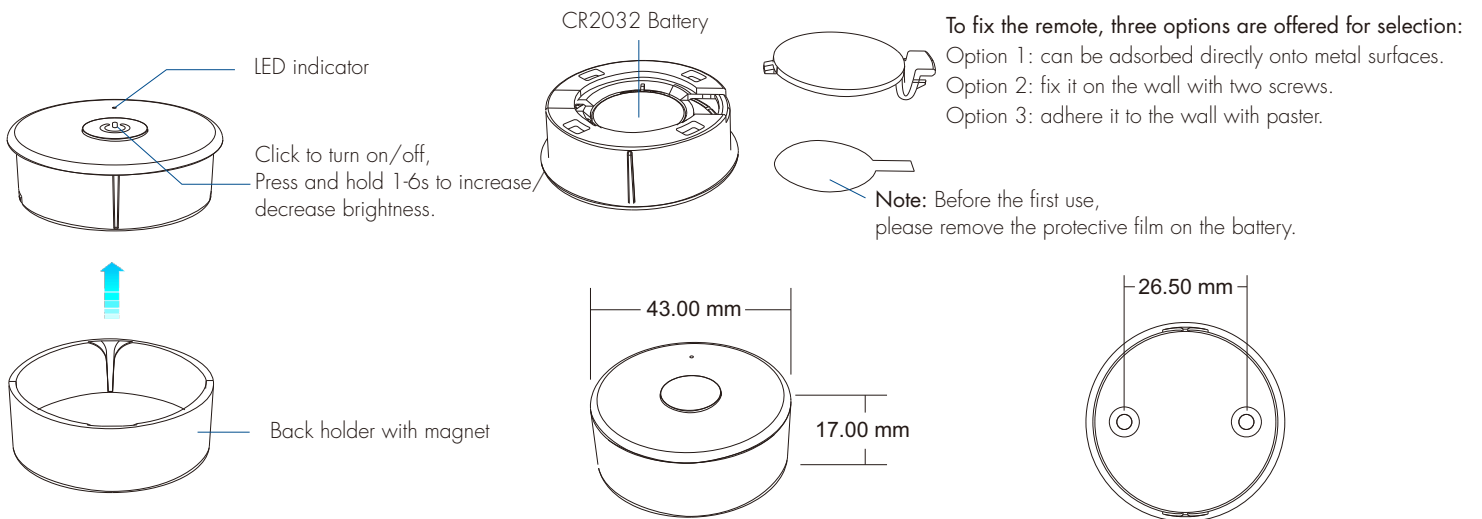


CE RoHS RED

Technical Parameters

Input and Output		Environment		Safety and EMC	
Output signal	RF 2.4GHz	Operation temperature	Ta: -20°C ~ +55°C	EMC standard	EN 62479:2010 ETSI EN 301 489-1 V2.2.3 ETSI EN 301 489-17 V3.2.4
Working voltage	3VDC(CR2032)	IP rating	IP20	Safety standard	EN 61347-1:2015+A1:2021 EN 61347-2-13:2014+A1:2017
Working current	<5mA	Package		Radio Equipment	ETSI EN 300 328 V2.2.2
Standby current	<2µA	Size	W56 x L56 x H30mm	Certification	CE RED
Standby time	2 years	Gross weight	0.034kg	Warranty	
Remote distance	30m(Barrier-free space)			Warranty	5 years

Mechanical Structures and Installations



Match Remote Control (two match ways)

End user can choose the suitable match/delete ways. Two options are offered for selection:

Use the controller's Match key

Match:
Short press match key, immediately press on/off key on the remote.
The LED indicator fast flash a few times means match is successful.

Delete:
Press and hold match key for 5s to delete all match,
The LED indicator fast flash a few times means all matched remotes were deleted.

Use Power Restart

Match:
Switch off the power, then switch on power, repeat again.
Immediately short press on/off key 3 times on the remote.
The light blinks 3 times means match is successful.

Delete:
Switch off the power, then switch on power, repeat again.
Immediately short press on/off key 5 times on the remote.
The light blinks 5 times means all matched remotes were deleted.

Safety Information

1. Read all instructions carefully before you begin this installation.
2. When installing battery, pay attention to the battery positive and negative polarity.
A long time without the remote control, remove the battery.
When remote distance becomes smaller and insensitive, replace the battery.
3. If no response from the receiver, please re-match the remote.
4. Gently handle remote, beware of falling.
5. For indoor and dry location use only.