



# HUGOBOX

## SLIM METAL DRAWER





**HUGOBOX**

# SLIM METAL DRAWER

Made with high-quality materials, ensuring durability and stability.  
The unique slide design allows for smooth and silent opening and closing of the drawers.  
Perfectly meeting your needs, whether it's for the kitchen, bedroom or office.



## Features:

- Full extension synchronised drawer slide
- Available in four heights and seven lengths
- Colour: Silk White, Black
- Slim Drawer Profile width 13mm
- Ultra-fast Front Connector Assembly and quick-release detachment
- Easy click in back panel connectors
- The slide rail has excellent tightness, minimizing shaking and increasing stability
- Externally mounted buffer with high wrapping degree for dust-proofing and protection
- Internal adjustment access
- Adjustment (vertical)  $\pm 1.5-2\text{mm}$
- Adjustment (horizontal)  $\pm 1.5-2\text{mm}$
- Adjustment (rear tilt)  $0-4\text{mm}$

OPTIONS	COLOUR	WOODEN BOARD THICKNESS
	SILK WHITE	16MM BOARD
	BLACK	

# GUIDELINE

## REGULAR DRAWER

16MM BOARD	84MM	1-2
	116MM	3-4
	167MM	5-6
	199MM	7-8

## ACCESSORIES

INNER DRAWER ACCESSORIES	9
GALLERY RAILING	10
DRILLING TEMPLATE	11-12

## APPLICATION ILLUSTRATION

BATHROOM	13-14
KITCHEN STORAGE	15-16



# SLIM METAL DRAWER

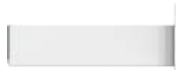
16MM  
BOARD

84 MM HEIGHT

REGULAR DRAWER



Black



Silk White

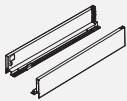
Code.	LENGTH	FEATURES
HB-84*270-WH HB-84*270-BK	270MM	<b>Slide</b> <ul style="list-style-type: none"> <li>■ Soft-closing + Synchronization</li> <li>■ Full Extension</li> <li>■ Piston Durable: 120,000 times</li> <li>■ Bearing Durable: 45KG @ 50,000 Times, 35KG @ 80,000 Times</li> </ul> <b>Panel</b> <ul style="list-style-type: none"> <li>■ Thickness: 1.5 x 2.0 x 1.5</li> <li>■ Material: Galvanized Steel</li> <li>■ Length: 270 / 300 / 350 / 400 / 450 / 500 / 550</li> </ul> <b>Panel</b> <ul style="list-style-type: none"> <li>■ Colour: Silk White, Black</li> <li>■ 3D Adjustment Function (Vertical, Horizontal, Tilt)</li> <li>■ Front Fixing Connector: Zinc Alloy Plated with Nickel</li> <li>■ Side Panel Material: Cold Rolled Steel</li> <li>■ Inner Draw Function: Support</li> <li>■ Height : 84 / 116 / 167 / 199</li> </ul> <b>Wooden Board</b> <ul style="list-style-type: none"> <li>■ Available Board Materials: Wooden Board</li> <li>■ Thickness: 16mm</li> </ul>
HB-84*300-WH HB-84*300-BK	300MM	
HB-84*350-WH HB-84*350-BK	350MM	
HB-84*400-WH HB-84*400-BK	400MM	
HB-84*450-WH HB-84*450-BK	450MM	
HB-84*500-WH HB-84*500-BK	500MM	
HB-84*550-WH HB-84*550-BK	550MM	

## COMPONENTS

1 Slides



2 Side Panels



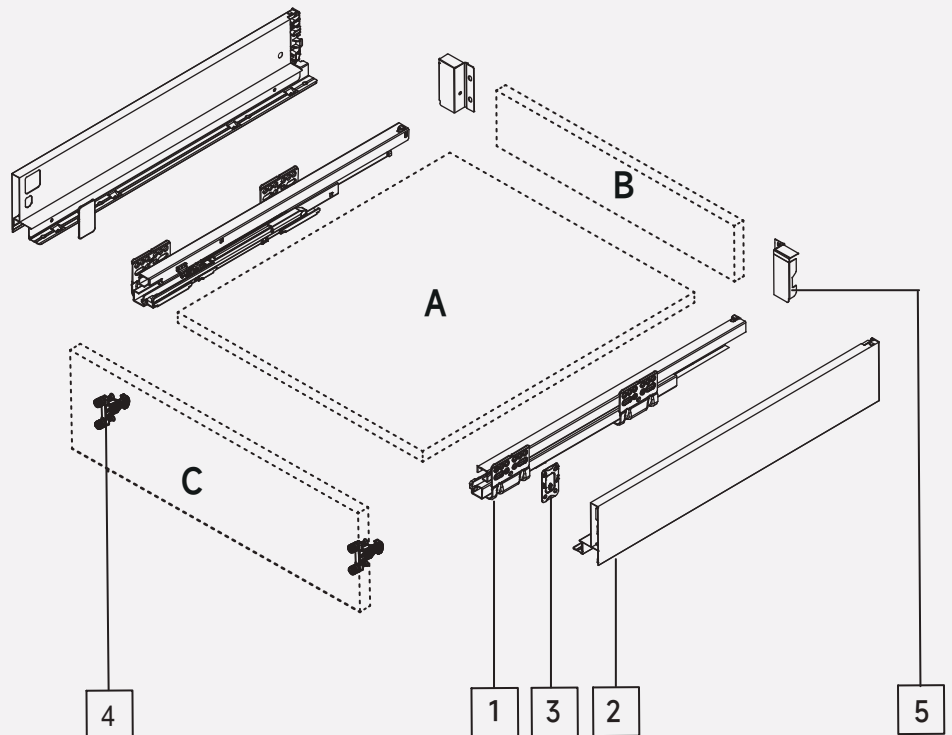
3 Decorative Covers



4 Front Fixing Brackets with Dowels



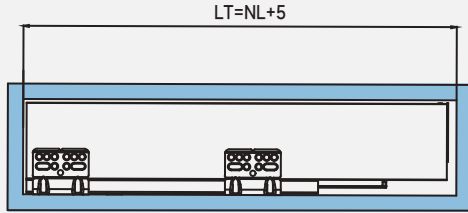
5 Back Panel Connectors



**DRAWER DEPTH**

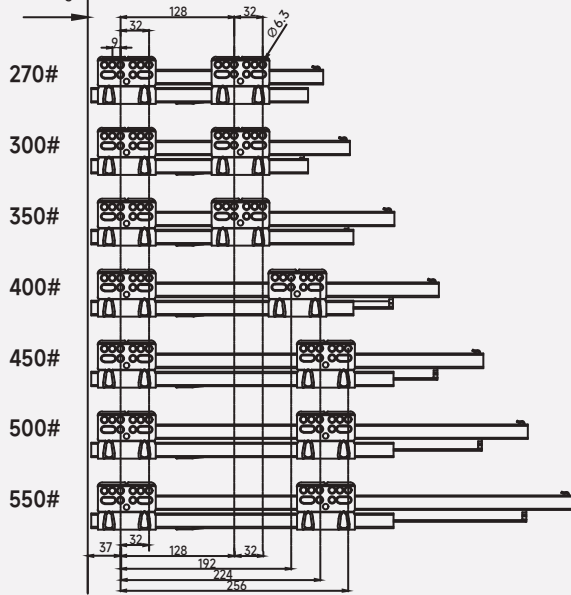
**Depth Space For Installation**

LT = Minimum Cabinet Depth



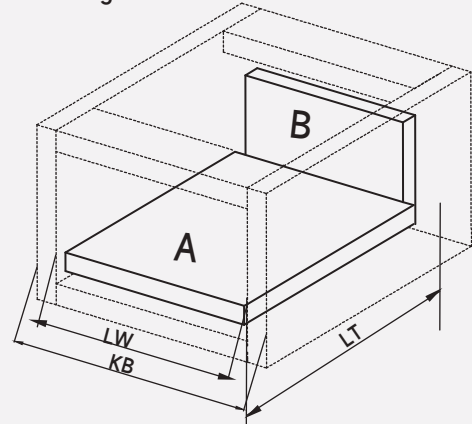
NL = 270-550

Cabinet front edge

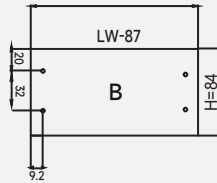


**WOODEN PANELS CUTTING DIMENSIONS**

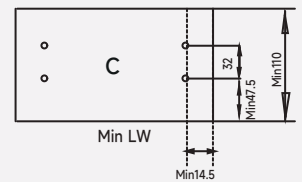
KB = Outer Width Of Cabinet  
LW = Inner Width Of Cabinet  
NL = Nominal Length



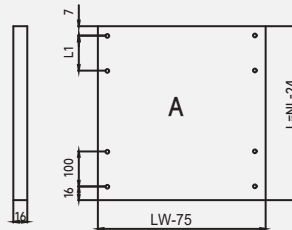
**Back Panel**



**Front Panel**



**Bottom Panel**

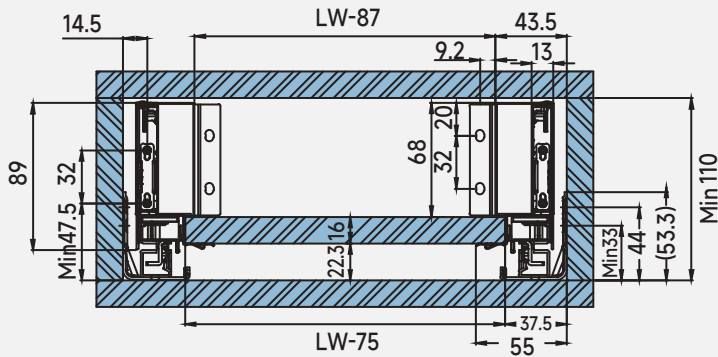


Height	84
H(mm)	84

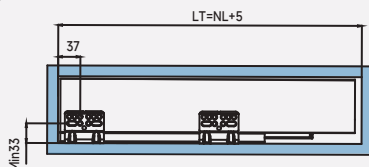
NL	270	300	350	400	450	500	550
L1(mm)	0	0	95	95	95	95	95

**INSTALLATION**

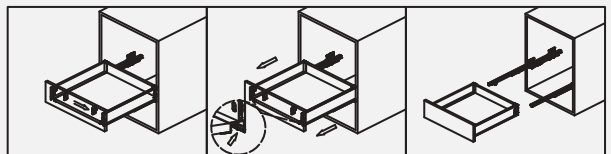
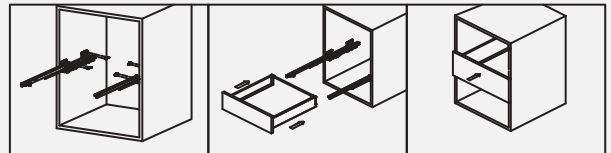
**Panels Mounting Distance**



**Slides Mounting Distance**



**Drawer Installation**



16MM  
BOARD

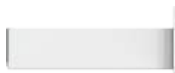
# SLIM METAL DRAWER

116 MM HEIGHT

REGULAR DRAWER



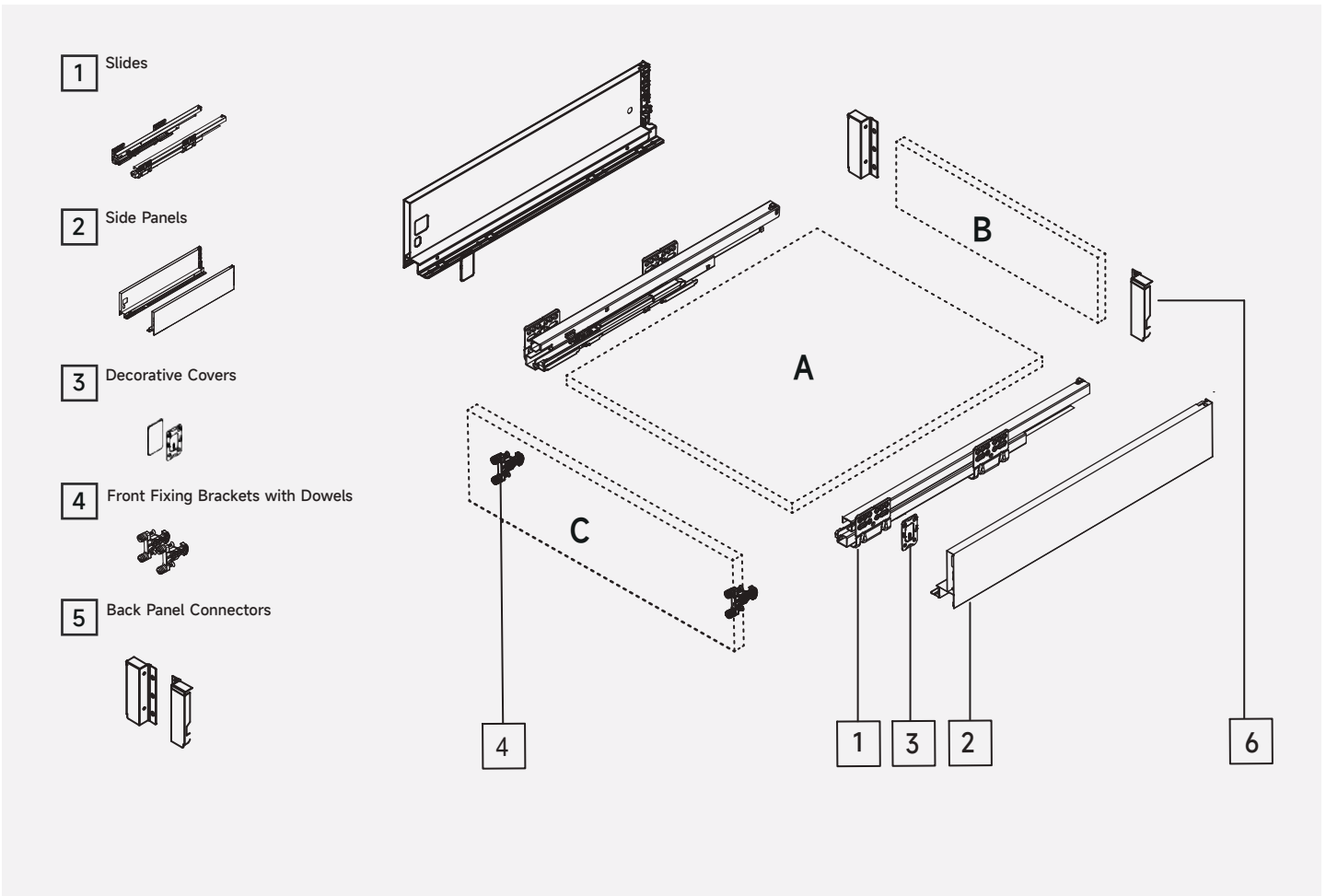
Black



Silk White

Code.	LENGTH	FEATURES
HB-116*270-WH HB-116*270-BK	270MM	<p><b>Slide</b></p> <ul style="list-style-type: none"> <li>■ Soft-closing + Synchronization</li> <li>■ Full Extension</li> <li>■ Piston Durable: 120,000 times</li> <li>■ Bearing Durable: 45KG @ 50,000 Times, 35KG @ 80,000 Times</li> <li>■ Thickness: 1.5 x 2.0 x 1.5</li> <li>■ Material: Galvanized Steel</li> <li>■ Length: 270 / 300 / 350 / 400 / 450 / 500 / 550</li> </ul> <p><b>Panel</b></p> <ul style="list-style-type: none"> <li>■ Colour: Silk White, Black</li> <li>■ 3D Adjustment Function (Vertical, Horizontal, Tilt)</li> <li>■ Front Fixing Connector: Zinc Alloy Plated with Nickel</li> <li>■ Side Panel Material: Cold Rolled Steel</li> <li>■ Inner Draw Function: Support</li> <li>■ Height : 84 / 116 / 167 / 199</li> </ul> <p><b>Wooden Board</b></p> <ul style="list-style-type: none"> <li>■ Available Board Materials: Wooden Board</li> <li>■ Thickness: 16mm</li> </ul>
HB-116*300-WH HB-116*300-BK	300MM	
HB-116*350-WH HB-116*350-BK	350MM	
HB-116*400-WH HB-116*400-BK	400MM	
HB-116*450-WH HB-116*450-BK	450MM	
HB-116*500-WH HB-116*500-BK	500MM	
HB-116*550-WH HB-116*550-BK	550MM	

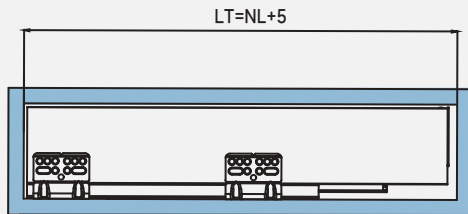
## COMPONENTS



**DRAWER DEPTH**

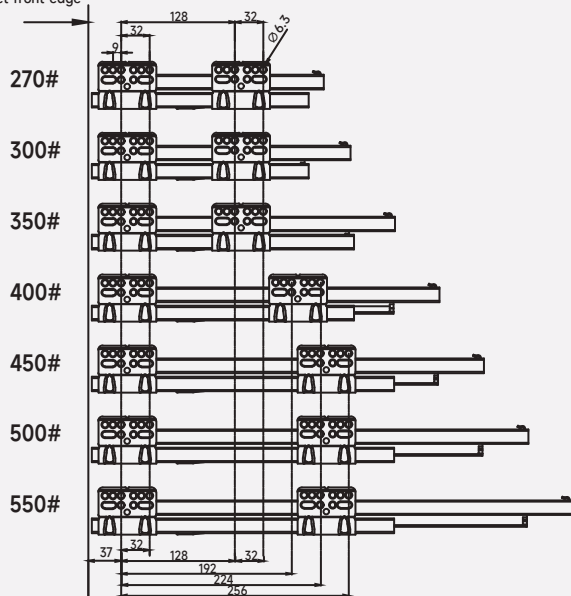
**Depth Space For Installation**

LT = Minimum Cabinet Depth



NL = 270-550

Cabinet front edge

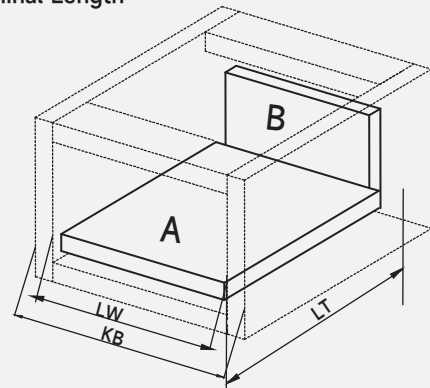


**WOODEN PANELS CUTTING DIMENSIONS**

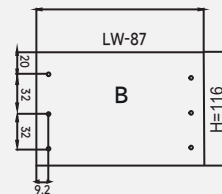
KB = Outer Width Of Cabinet

LW = Inner Width Of Cabinet

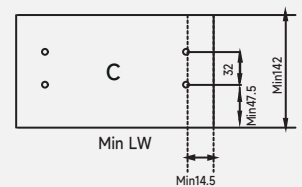
NL = Nominal Length



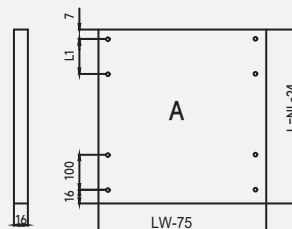
**Back Panel**



**Front Panel**



**Bottom Panel**

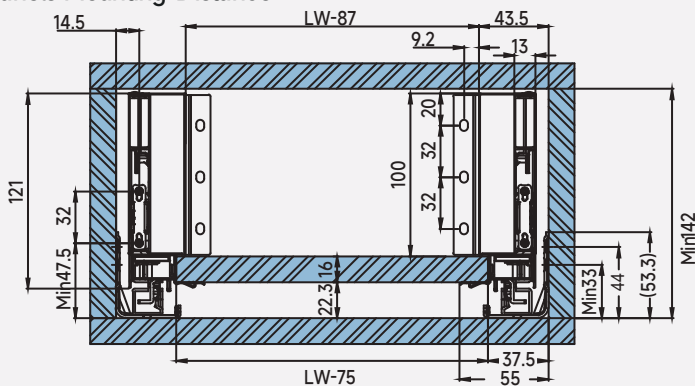


Height	116
H(mm)	116

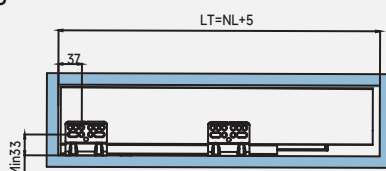
NL	270	300	350	400	450	500	550
L1(mm)	0	0	95	95	95	95	95

**INSTALLATION**

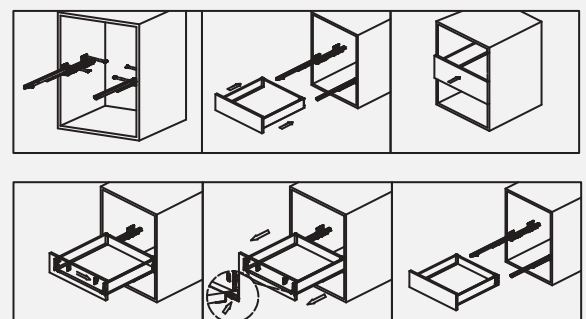
**Panels Mounting Distance**



**Slides Mounting Distance**



**Drawer Installation**



16MM  
BOARD

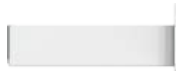
# SLIM METAL DRAWER

167 MM HEIGHT

REGULAR DRAWER



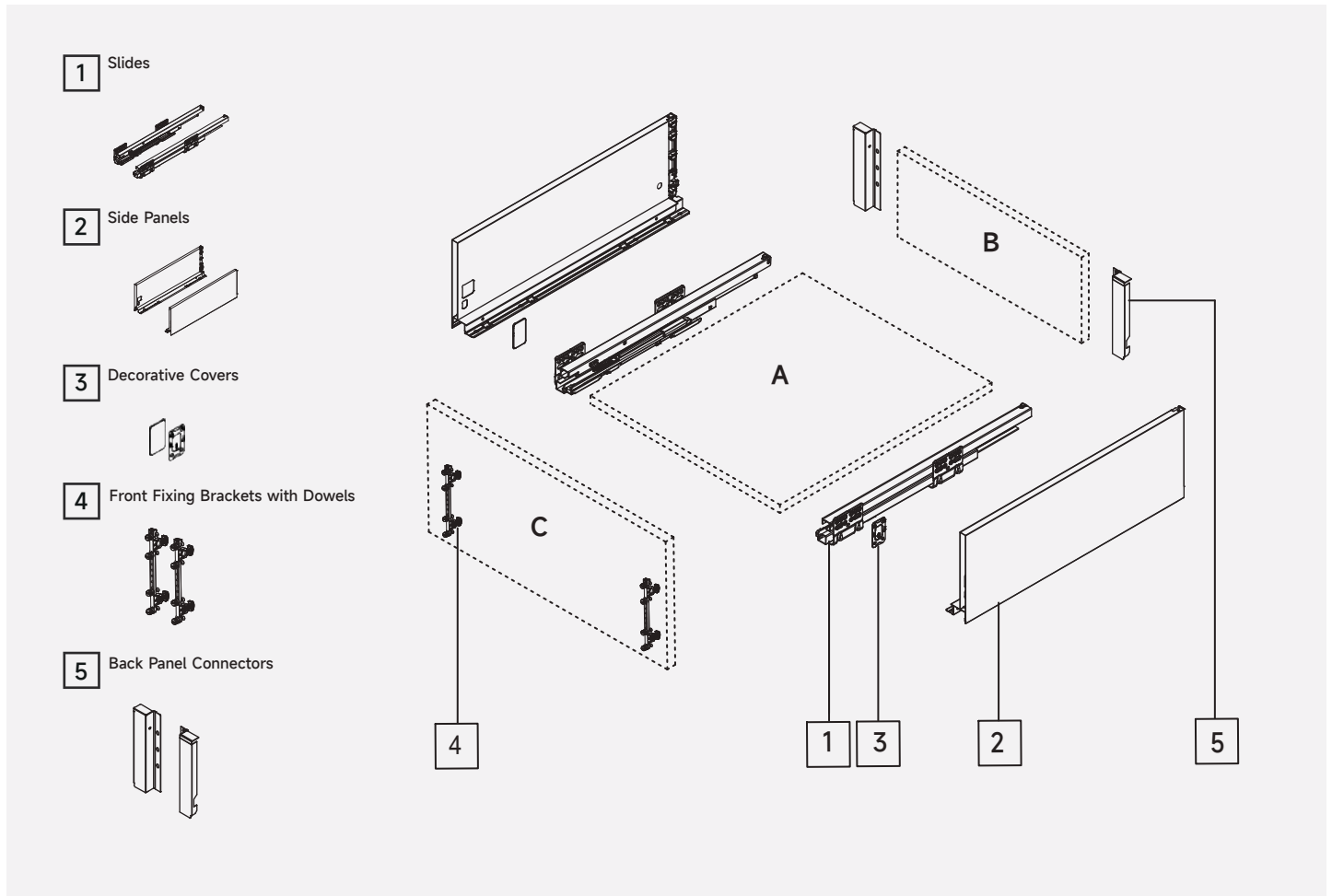
Black



Silk White

Code.	LENGTH	FEATURES
HB-167*270-WH HB-167*270-BK	270MM	<p><b>Slide</b></p> <ul style="list-style-type: none"> <li>■ Soft-closing + Synchronization</li> <li>■ Full Extension</li> <li>■ Piston Durable: 120,000 times</li> <li>■ Bearing Durable: 45KG @ 50,000 Times, 35KG @ 80,000 Times</li> <li>■ Thickness: 1.5 x 2.0 x 1.5</li> <li>■ Material: Galvanized Steel</li> <li>■ Length: 270 / 300 / 350 / 400 / 450 / 500 / 550</li> </ul> <p><b>Panel</b></p> <ul style="list-style-type: none"> <li>■ Colour: Silk White, Black</li> <li>■ 3D Adjustment Function (Vertical, Horizontal, Tilt)</li> <li>■ Front Fixing Connector: Zinc Alloy Plated with Nickel</li> <li>■ Side Panel Material: Cold Rolled Steel</li> <li>■ Inner Draw Function: Support</li> <li>■ Height : 84 / 116 / 167 / 199</li> </ul> <p><b>Wooden Board</b></p> <ul style="list-style-type: none"> <li>■ Available Board Materials: Wooden Board</li> <li>■ Thickness: 16mm</li> </ul>
HB-167*300-WH HB-167*300-BK	300MM	
HB-167*350-WH HB-167*350-BK	350MM	
HB-167*400-WH HB-167*400-BK	400MM	
HB-167*450-WH HB-167*450-BK	450MM	
HB-167*500-WH HB-167*500-BK	500MM	
HB-167*550-WH HB-167*550-BK	550MM	

## COMPONENTS





# SLIM METAL DRAWER

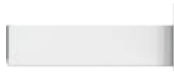
16MM  
BOARD

199 MM HEIGHT

REGULAR DRAWER



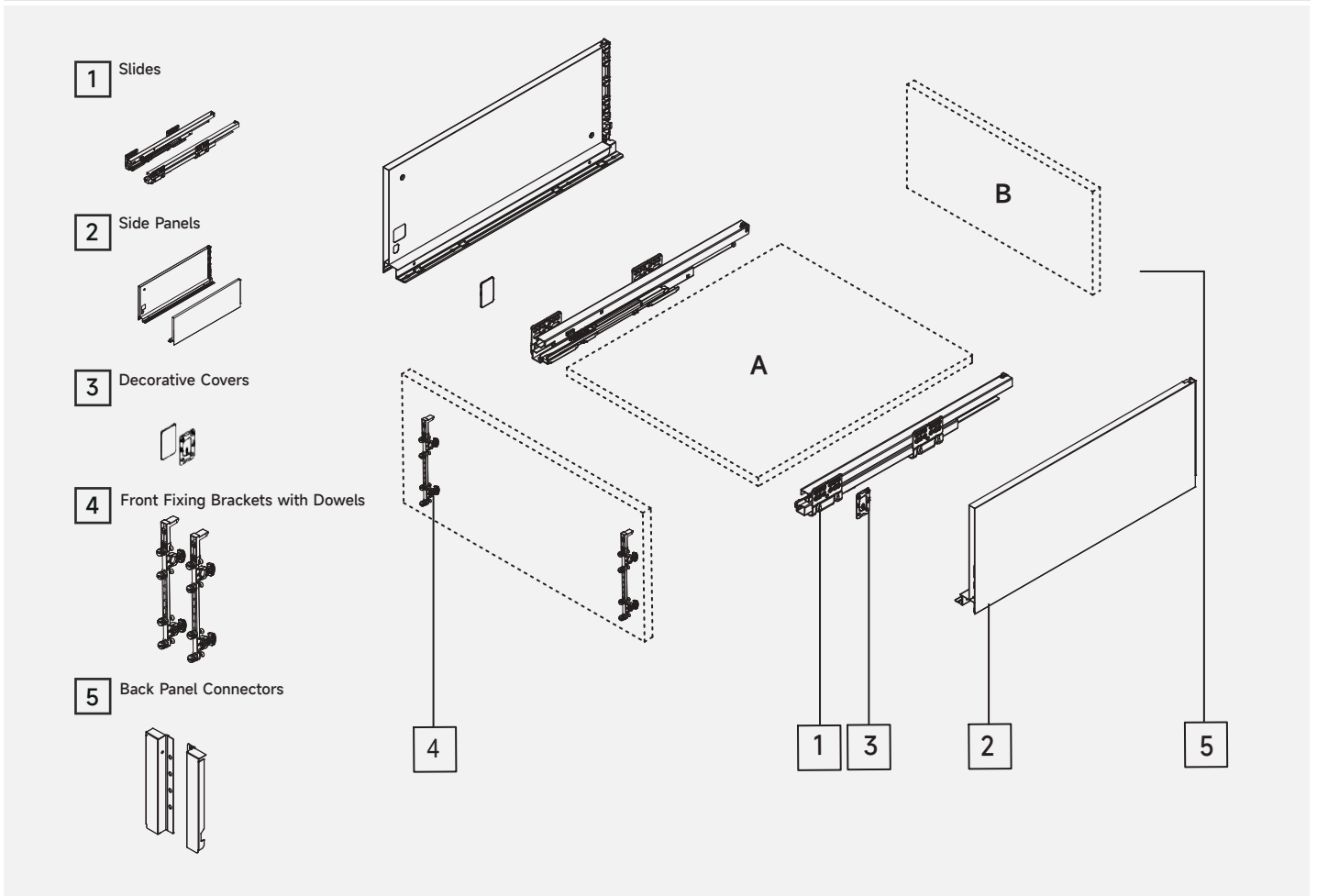
Black



Silk White

Code.	LENGTH	FEATURES
HB-199*270-WH HB-199*270-BK	270MM	<b>Slide</b> <ul style="list-style-type: none"> <li>■ Soft-closing + Synchronization</li> <li>■ Full Extension</li> <li>■ Piston Durable: 120,000 times</li> <li>■ Bearing Durable: 45KG @ 50,000 Times, 35KG @ 80,000 Times</li> <li>■ Thickness: 1.5 x 2.0 x 1.5</li> <li>■ Material: Galvanized Steel</li> <li>■ Length: 270 / 300 / 350 / 400 / 450 / 500 / 550</li> </ul> <b>Panel</b> <ul style="list-style-type: none"> <li>■ Colour: Silk White, Black</li> <li>■ 3D Adjustment Function (Vertical, Horizontal, Tilt)</li> <li>■ Front Fixing Connector: Zinc Alloy Plated with Nickel</li> <li>■ Side Panel Material: Cold Rolled Steel</li> <li>■ Inner Draw Function: Support</li> <li>■ Height : 84 / 116 / 167 / 199</li> </ul> <b>Wooden Board</b> <ul style="list-style-type: none"> <li>■ Available Board Materials: Wooden Board</li> <li>■ Thickness: 16mm</li> </ul>
HB-199*300-WH HB-199*300-BK	300MM	
HB-199*350-WH HB-199*350-BK	350MM	
HB-199*400-WH HB-199*400-BK	400MM	
HB-199*450-WH HB-199*450-BK	450MM	
HB-199*500-WH HB-199*500-BK	500MM	
HB-199*550-WH HB-199*550-BK	550MM	

## COMPONENTS





**INNER DRAWER**

**INNER DRAWER ACCESSORIES**

SIDE PANER HEIGHT	ACCESSORIES REQUIRED
84	(A) + (B)
116	(A) + (B) + (C)
167	(A) + (B) + (C)
199	(A) + (B) + (C)



**(A)**

**Front Connector for Inner Drawer**



Front Connector for Inner Drawer  
Material: Plastic  
Unit: 2pcs / Set  
Colour: Silk White & Black  
Size: 84mm, 116mm, 167mm, 199mm

Code:  
HB-IDC-84-WH / HB-IDC-84-BK  
HB-IDC-116-WH / HB-IDC-116-BK  
HB-IDC-167-WH / HB-IDC-167-BK  
HB-IDC-199-WH / HB-IDC-199-BK

**(B)**

**Front Panel for Inner Drawer**



Front Panel for Inner Drawer  
Material: Aluminum  
Unit: Pcs  
Colour: Silk White & Black  
Size: 1200mm/pcs

Code:  
HB-IDF-1200-WH / HB-IDF-1200-BK

Notes: to be cut according to the width of the drawer

L=1200mm

**(C)**

**Front Square Railing for Inner Drawer**



Front Square Railing for Inner Drawer  
Material: Aluminum  
Unit: Pcs  
Colour: Silk White & Black  
Size: 1200mm/pcs

Code:  
HB-IDR-1200-WH / HB-IDR-1200-BK

Notes: to be cut according to the width of the drawer

L=1200mm

GALLERY RAILING

GALLERY RAILING ACCESSORIES

**Tips:**  
The Installation of Drawer's Railing is not limited by the structure of side panel, helping users to design drawers of any heights.



Square Gallery Railing for Regular Drawer



Side Panel Size



Square Gallery Railing for Regular Drawer

Material of Railing: Iron

Material of Connect: Plastic

Unit: 2pcs / Set

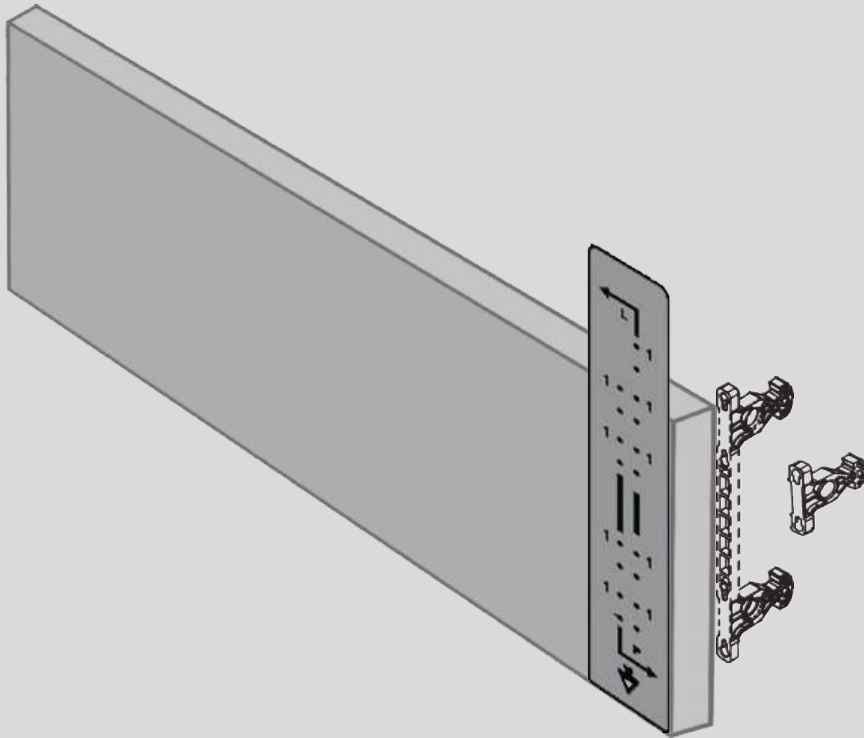
Colour: Silk White & Black

Size: 270mm, 300mm, 350mm, 400mm, 450mm, 500mm, 550mm

- Code: HB-R-270-WH / HB-R-270-BK
- HB-R-300-WH / HB-R-300-BK
- HB-R-350-WH / HB-R-350-BK
- HB-R-400-WH / HB-R-400-BK
- HB-R-450-WH / HB-R-450-BK
- HB-R-500-WH / HB-R-500-BK
- HB-R-550-WH / HB-R-550-BK

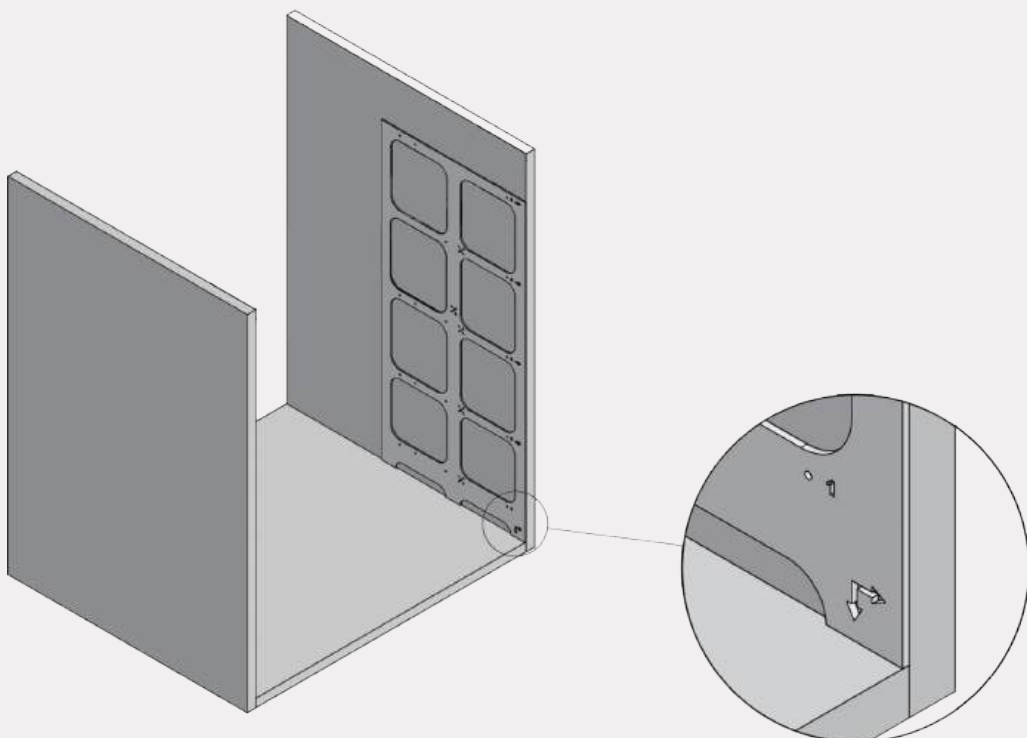
**CODE: HB-JF**

Dimension diagram of panel punching positioning plate

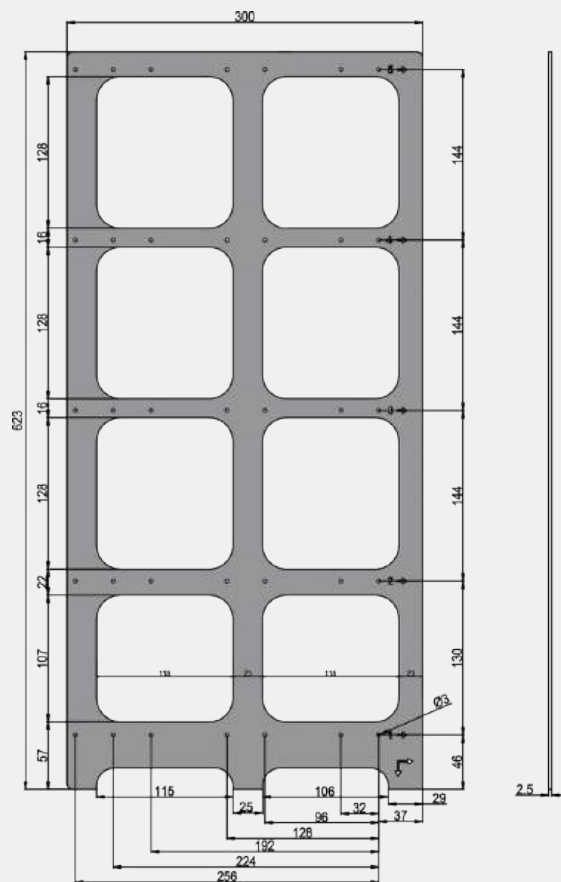
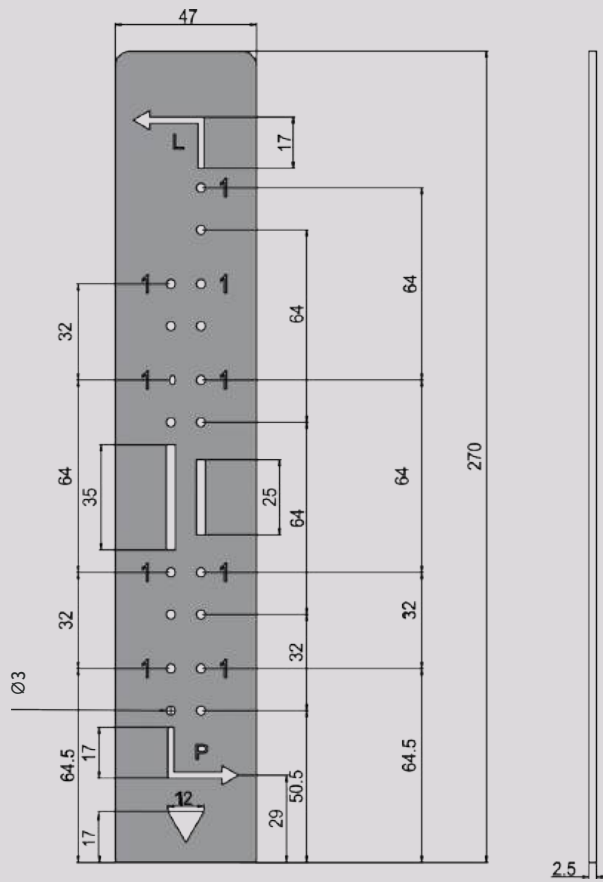


**CODE: HB-J-P**

Dimension diagram of punching and positioning plate for slide rail installation

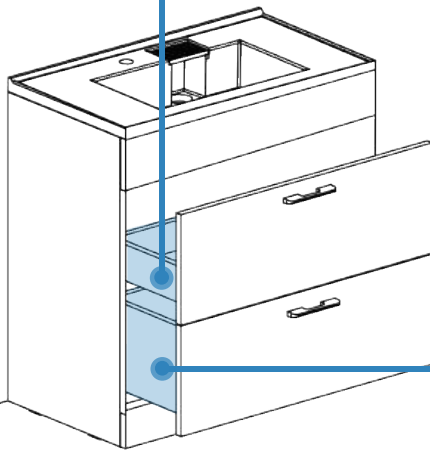
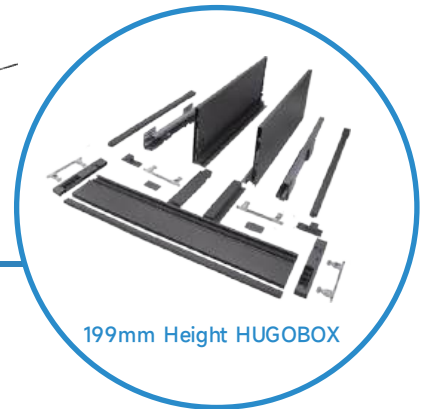
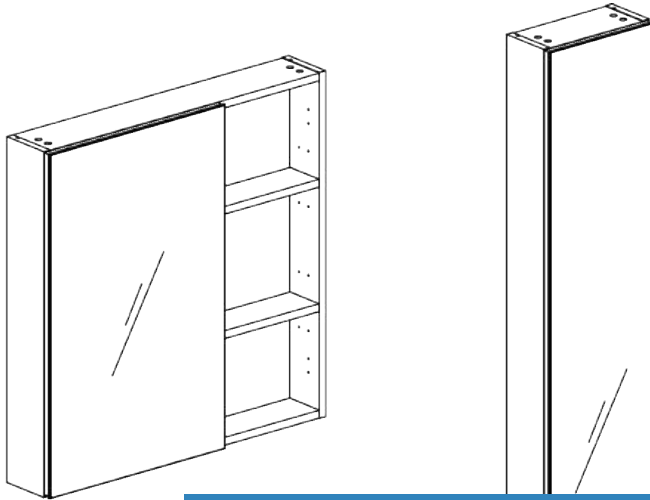


DRILLING TEMPLATE

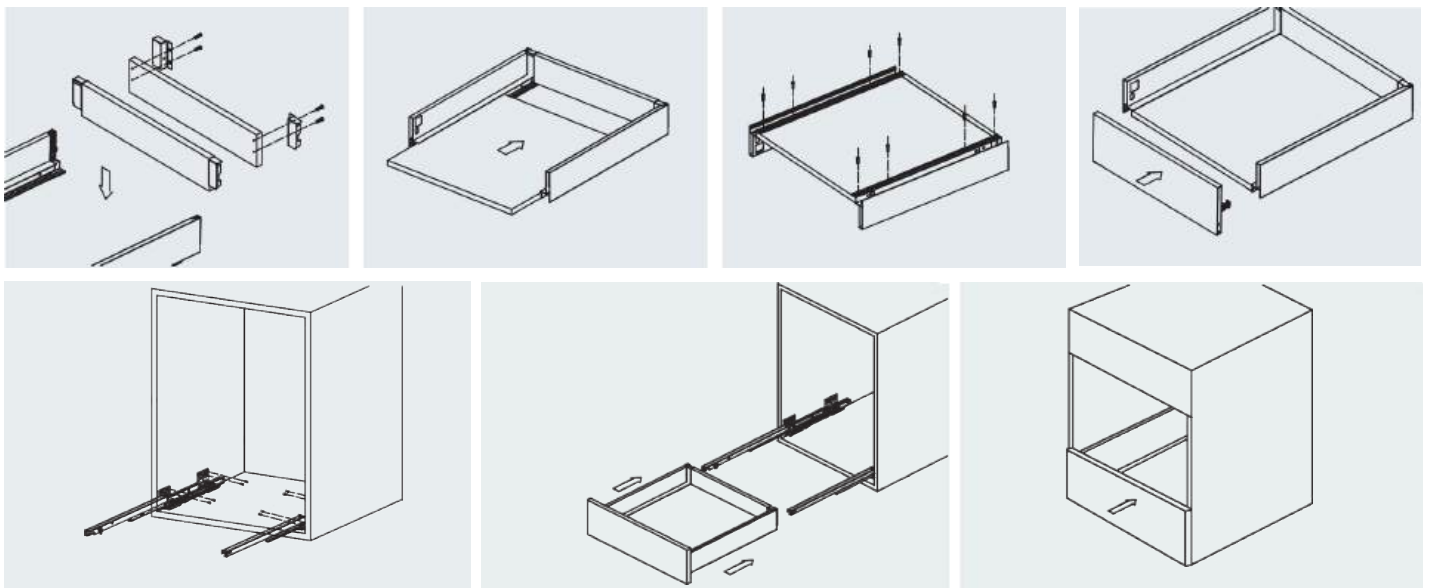


**REGULAR DRAWER  
BATHROOM CABINET  
APPLICATION  
ILLUSTRATION**

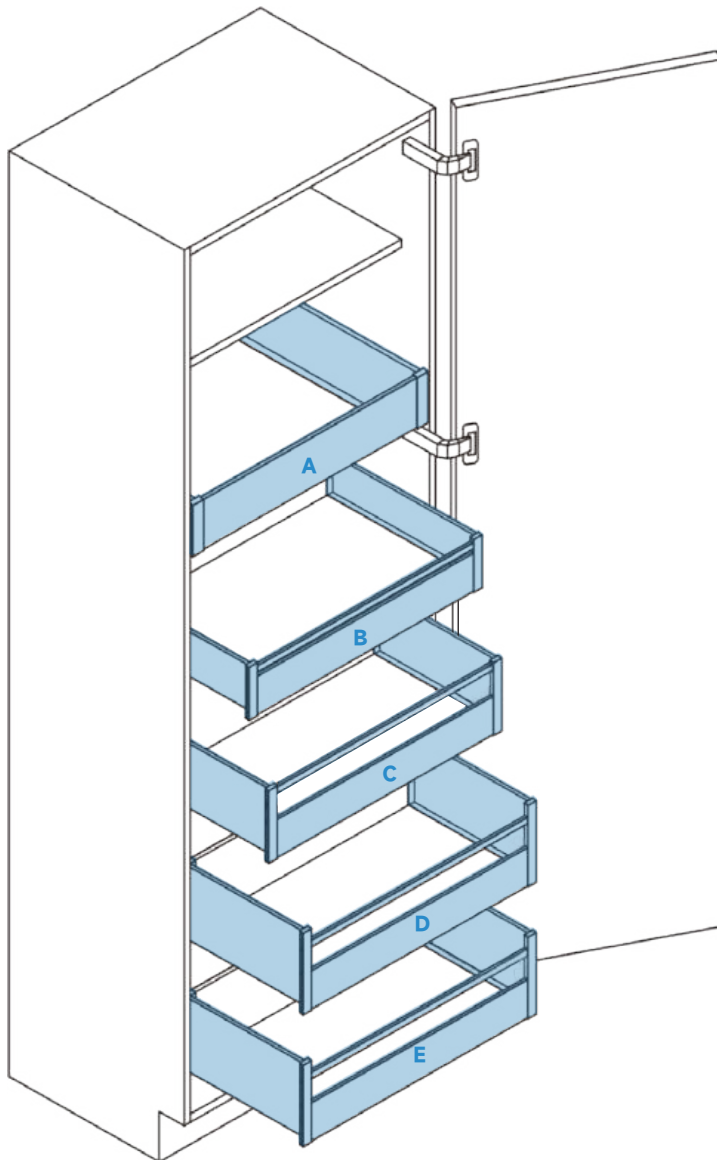




## How to install



# INNER DRAWER KITCHEN STORAGE ROOM CABINET APPLICATION ILLUSTRATION



**A**



84mm Height HUGOBOX

**B**



116mm Height HUGOBOX

**C**

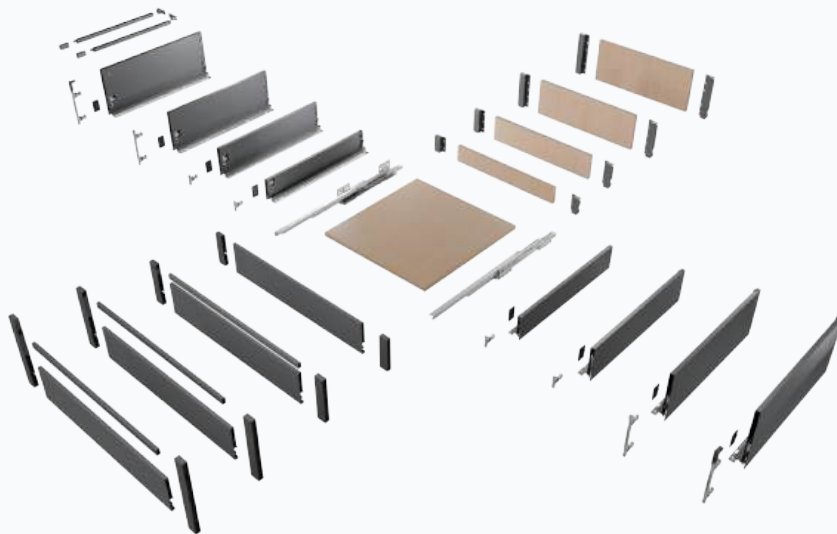
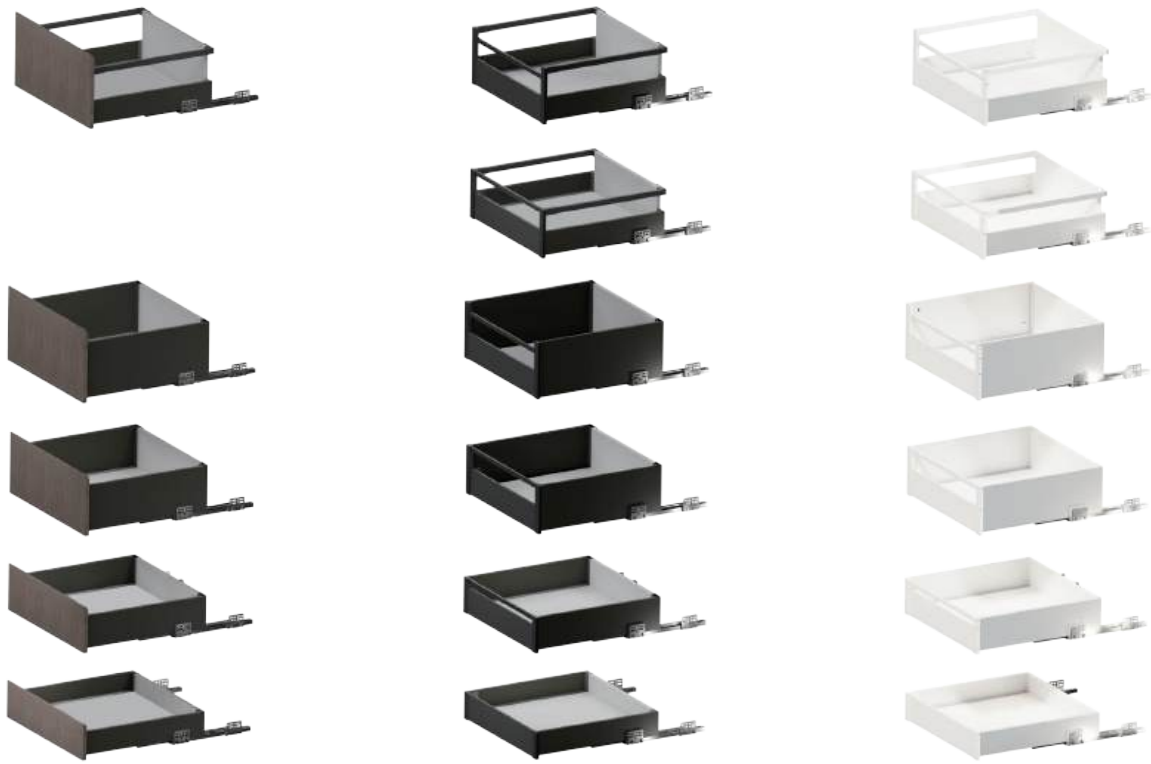


167mm Height HUGOBOX

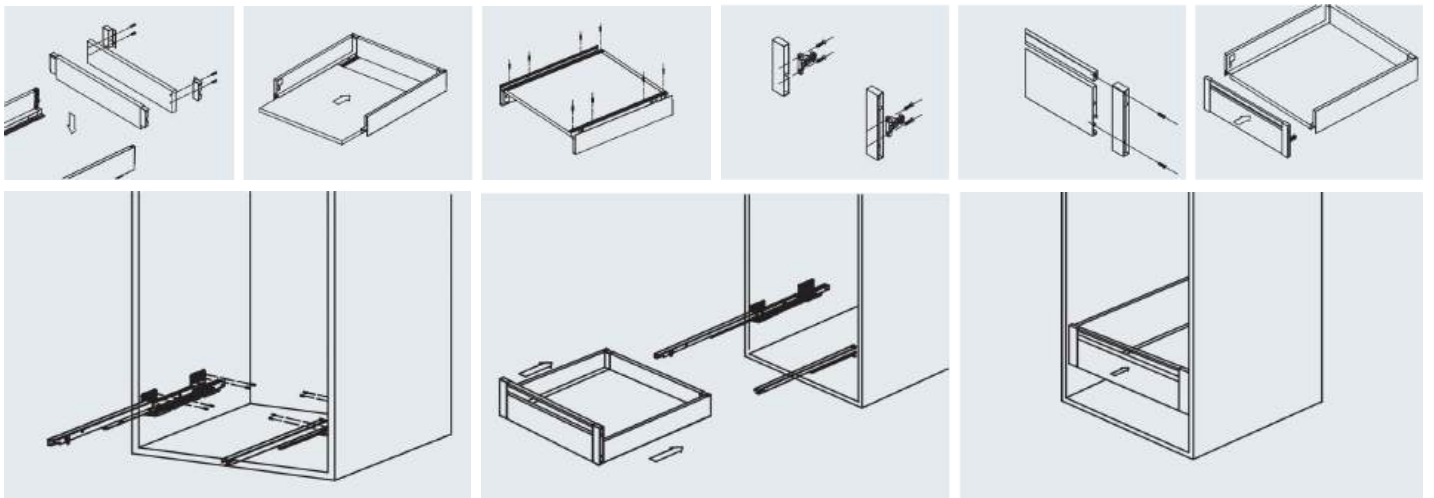
**D/E**

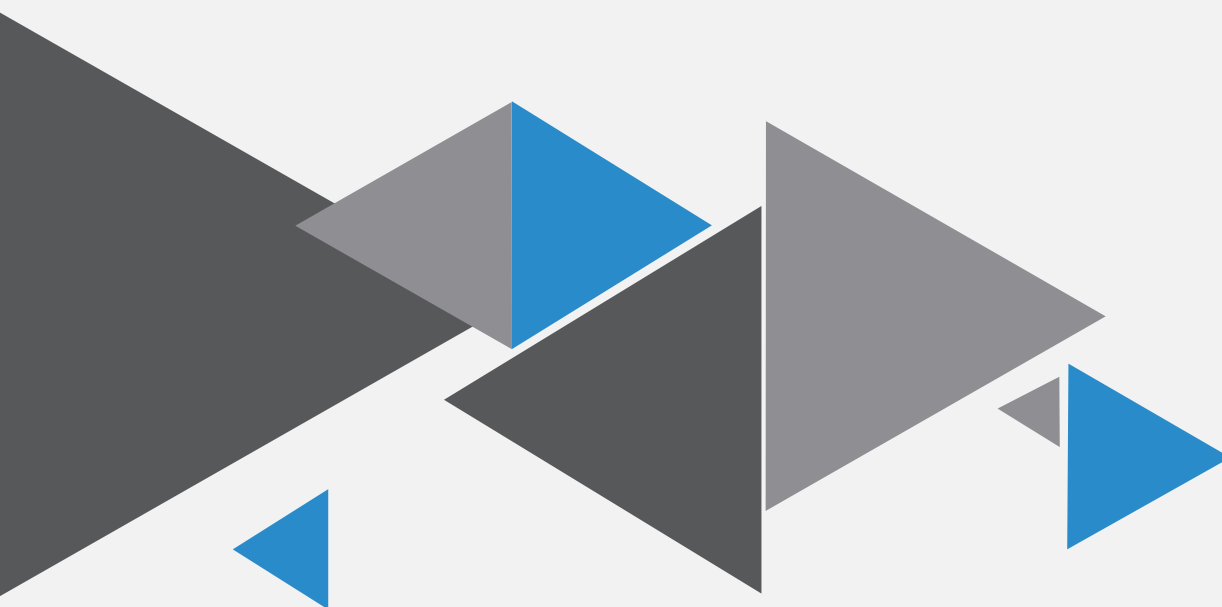



199mm Height HUGOBOX




## How to install







 07 3180 8807

 07 3832 8668

 [info@allegrahardware.com.au](mailto:info@allegrahardware.com.au)

 477 Newman Rd, Geebung QLD 4034

 [www.allegrahardware.com.au](http://www.allegrahardware.com.au)