

ADJUSTABLE LEGS



This premium adjustable leg range has many benefits including easy access for electrical and plumbing work. Additionally the cabinet is totally insulated from the floor, removing the possibility of contact with a wet area. The plinth block acts as a glide base, preventing damage to doors and edges during transit and installation.

STANDARD EXPRESS LEG	VANITY LEG	2-IN-1 LEG
<p>Plinth block 4 dowel or 4 screw</p> <p>Standard express nut</p> <p>Express leg</p> <p>Height Range: 110mm – 170mm Pre-set at 150mm</p>	<p>Plinth block 4 dowel or 4 screw</p> <p>Vanity nut</p> <p>Vanity leg</p> <p>Height Range: 87mm – 130mm Pre-set at 90mm</p>	<p>Plinth block 4 dowel or 4 screw</p> <p>2 in 1 nut</p> <p>2 in 1 leg</p> <p>Height Range: 90mm – 130mm 138mm – 180mm Pre-set at 150mm</p>



EXTENSION SLEEVE 50MM

50mm extension for express leg and vanity leg

CODE:AL-EXT



TOE KICK CLIP

Screw attachment or knock-in for a 4mm groove

CODE:AL-CLIP

PRODUCT CODES	DESCRIPTION	CARTON QTY
AL-EXP	Adjustable Leg Express	200
AL-VAN	Adjustable Leg Vanity	300
AL-2IN1	Adjustable Leg 2-in-1	200
ALB-SCR	Adjustable Leg Block - Screw	200
ALB-DWL	Adjustable Leg Block - Dowel	200
AL-EXT	Extension Sleeve	200
AL-CLIP	Toe Kick Clip	100

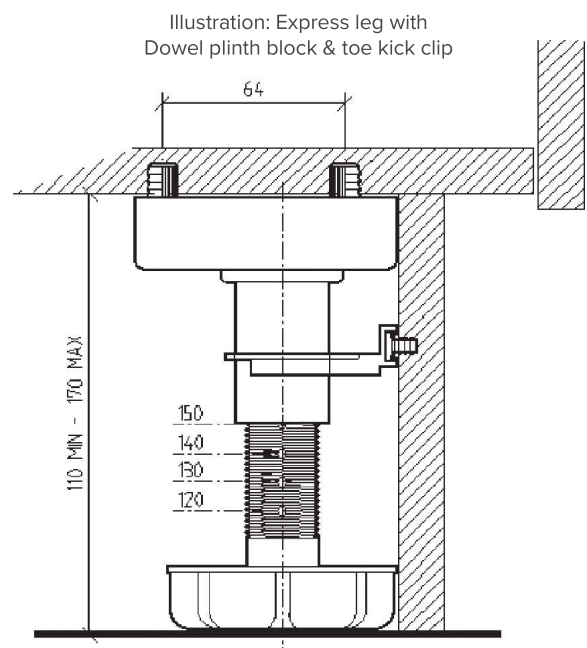
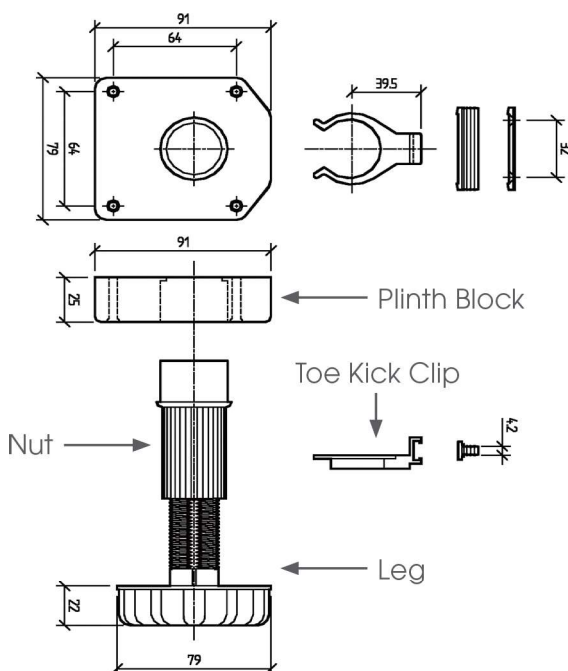
ADJUSTABLE LEGS



FEATURES	BENEFITS
Manufactured from 100% virgin material	Produces components of optimum strength
Legs and Nuts are supplied assembled and pre-set	Pre-assembly provides time saving during assembly to bench unit
Pre-set to various heights, using 2 options with total adjustment range from 87mm to 180mm	Pre-setting provides time saving during assembly
Express Leg Extension Sleeve available	Increases height range to 220mm
Triple-start thread	Allows for faster starting and optimum thread strength
Fine (10 TPI) thread	Provides strength and enables speedy (8mm per turn) and precise height adjustments
Screw & dowel fixing options	Suits all manufacturing and assembly options
Toe Kick Clip with both screw and 4mm knock in dowel fixing attachments	Allows for secure fixing of toe kick to individual legs
Legs feature indentations (marked 1- 6) spaced 10mm apart	Easy reference for quick leveling during installation
Vertical Load Rating 800kg	Supreme, industry leading strength

ADJUSTABLE LEG INSTRUCTIONS

1. Place the fully assembled leg under the corner of the cabinet with the leg on the floor – as per schematic drawing
2. Adjust the height, either manually or with a screwdriver, by rotating the leg
3. Screw the toe kick clip onto the back of the toe kick and snap onto the leg



Height Adjustable Legs or Leg Levellers are the only way to go if you are installing in a wet or damp environment, since they keep the cabinet off the floor at all times.